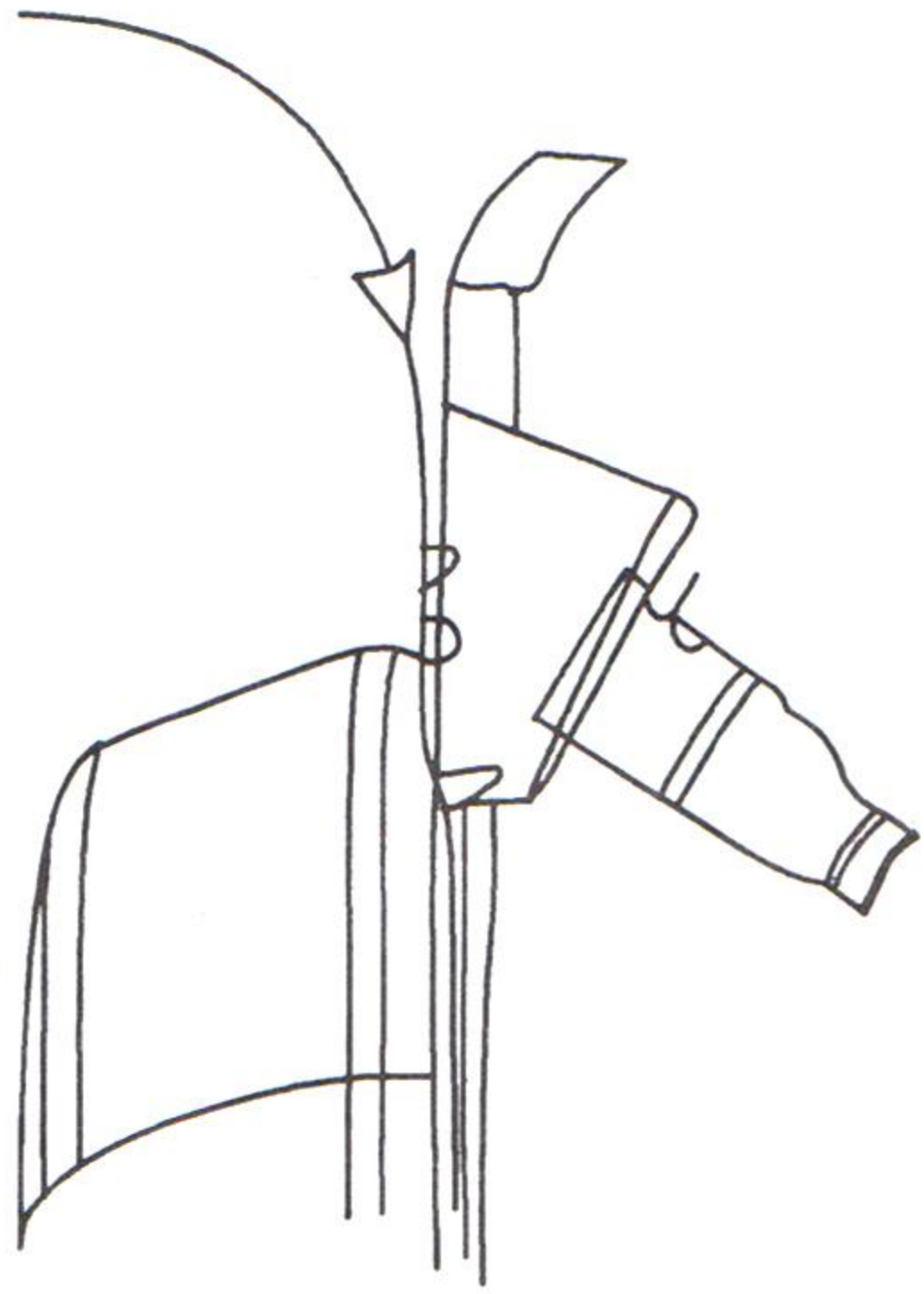
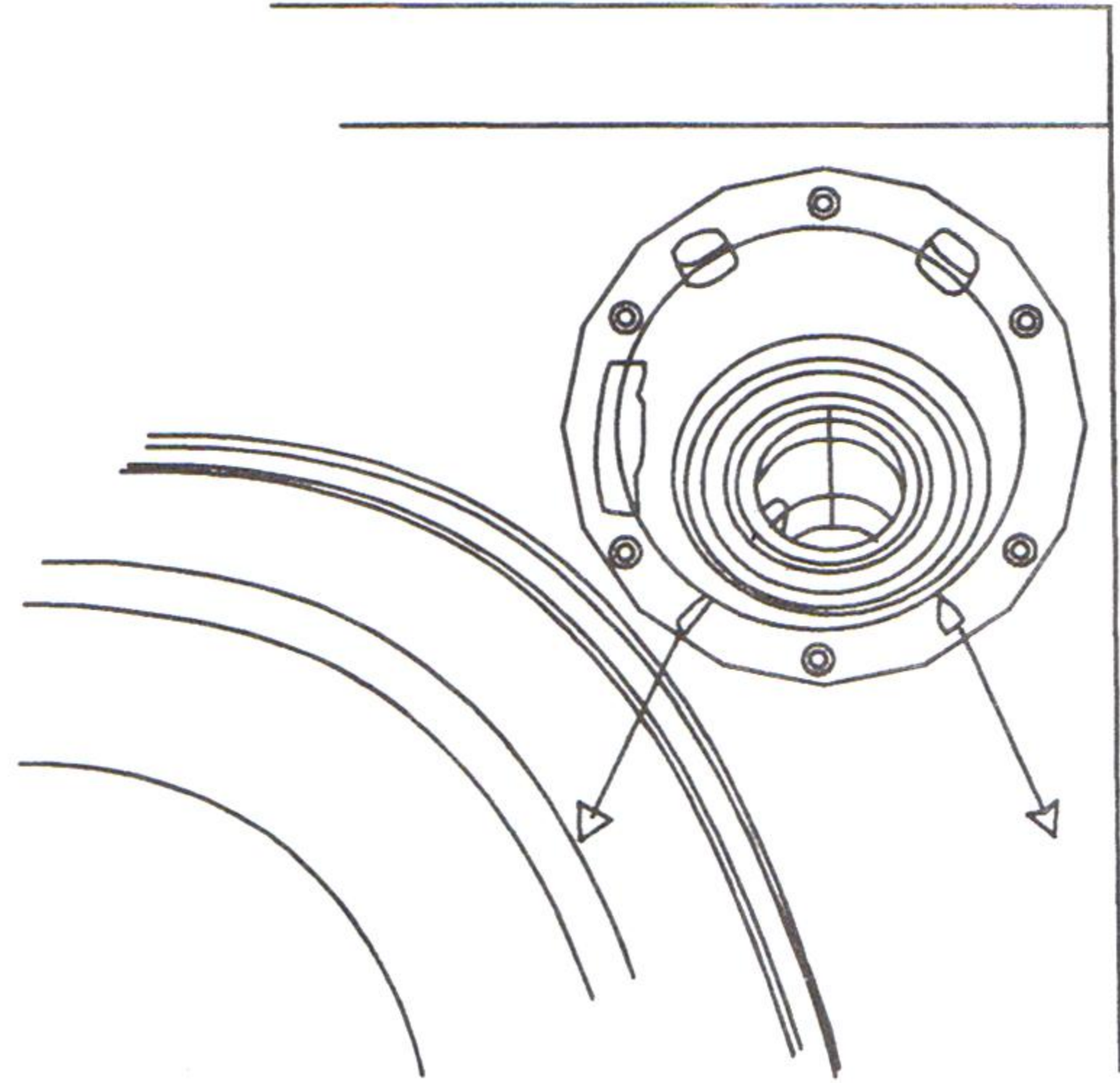


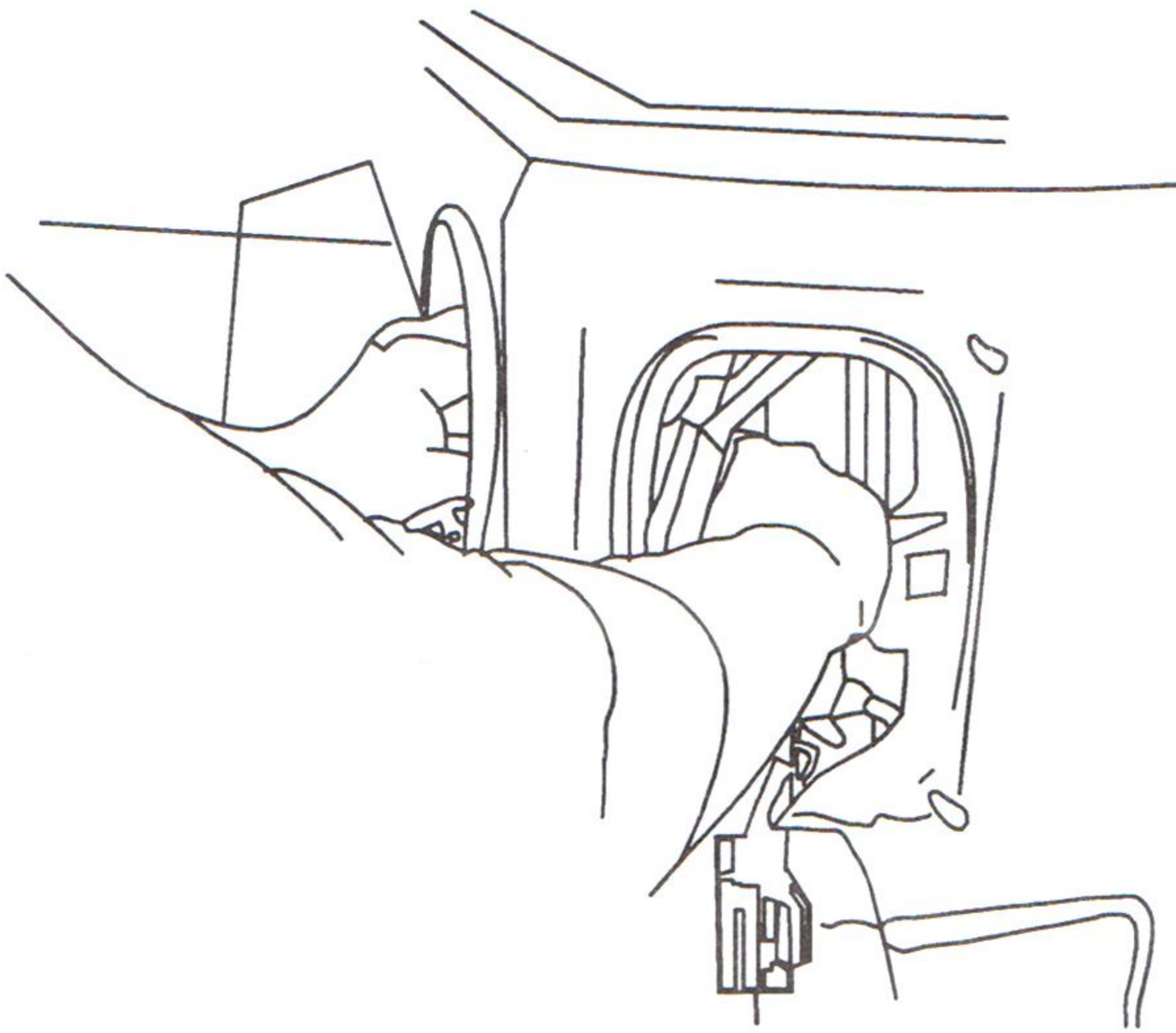
8



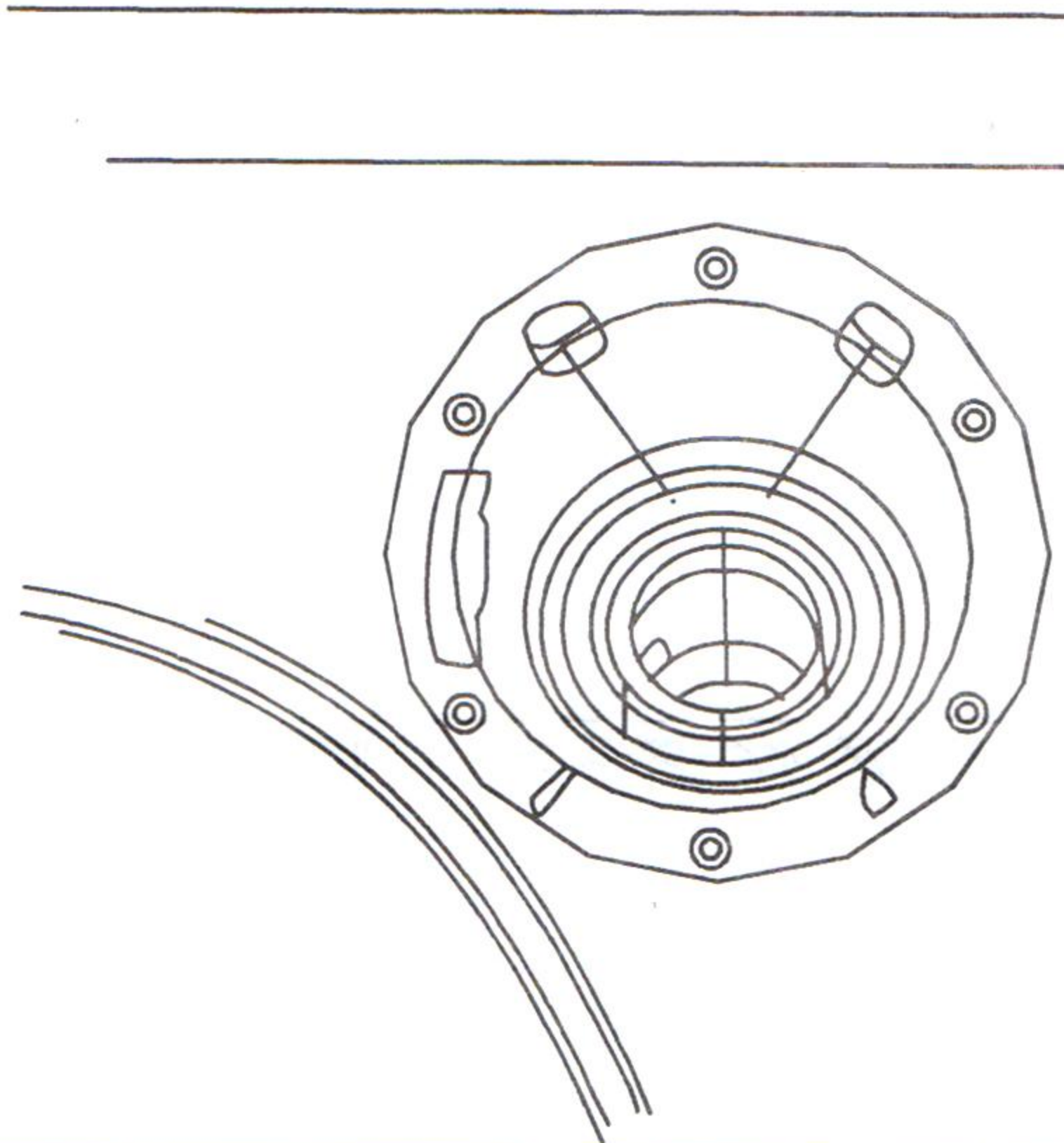
9



10

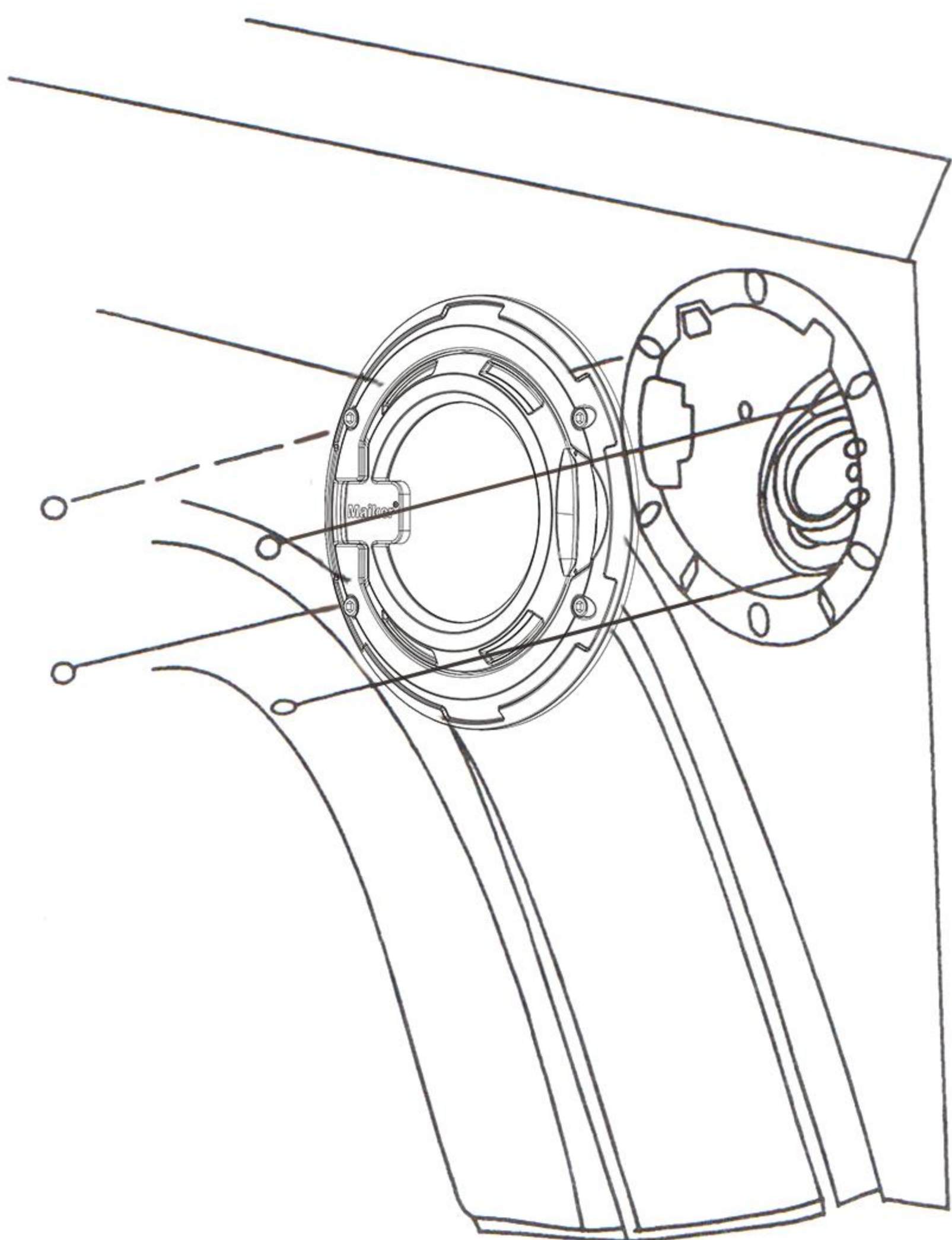


11

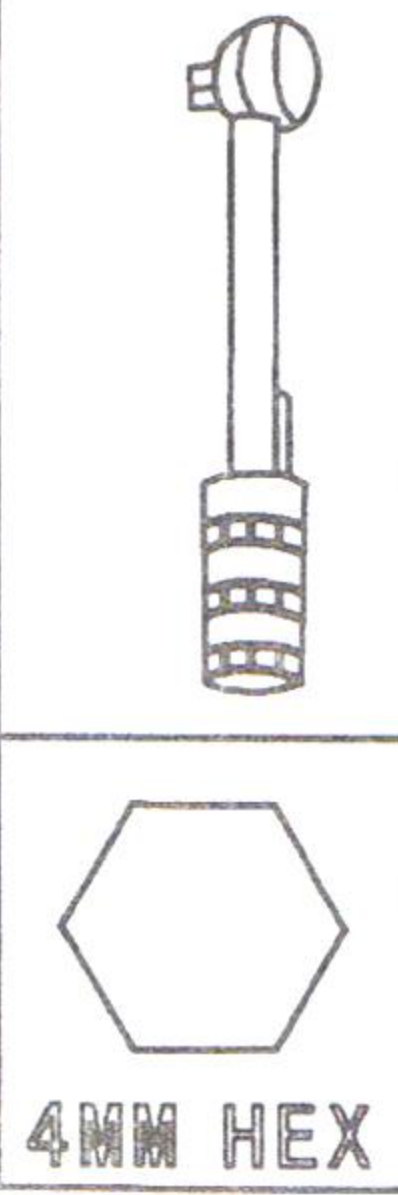
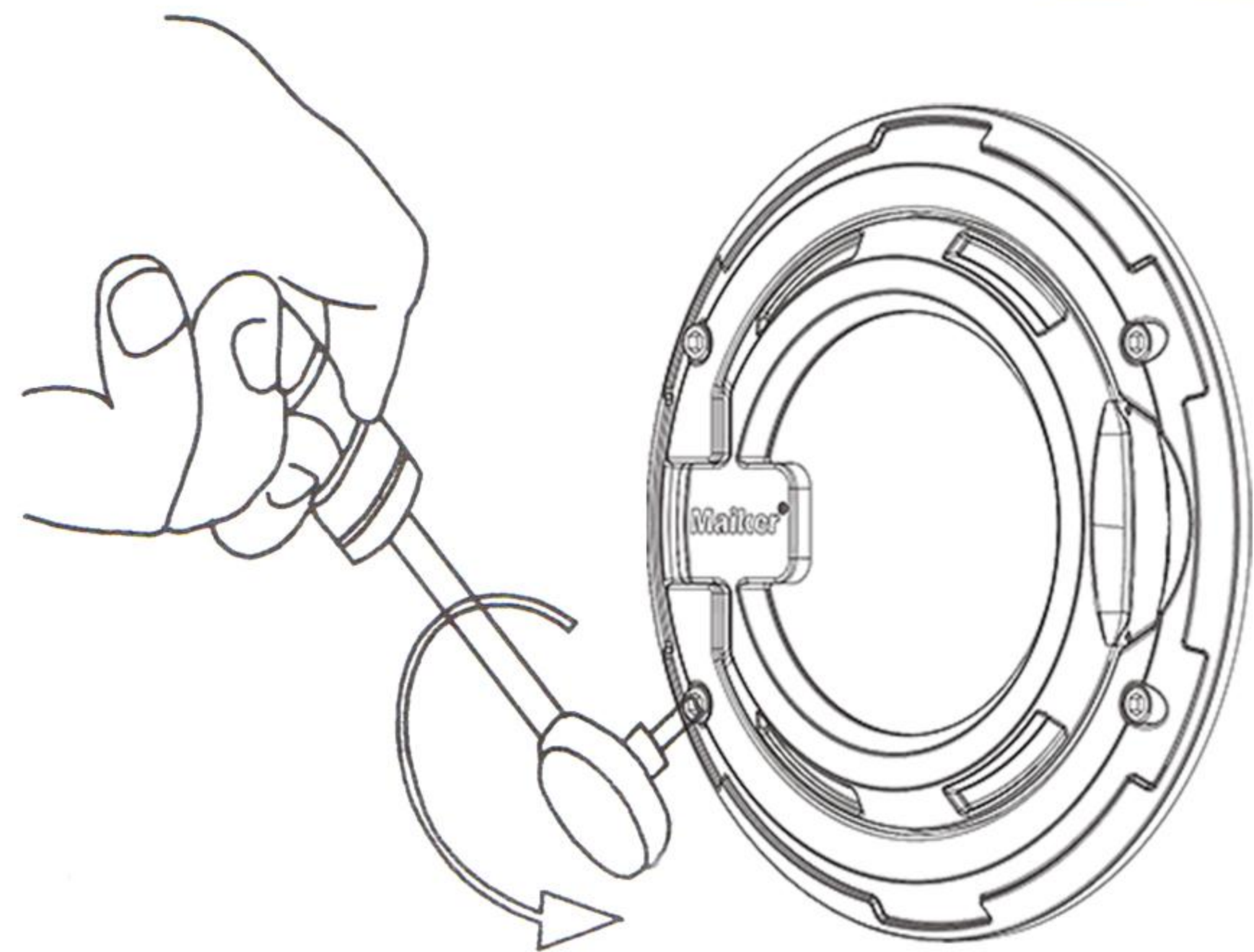


非会员水印

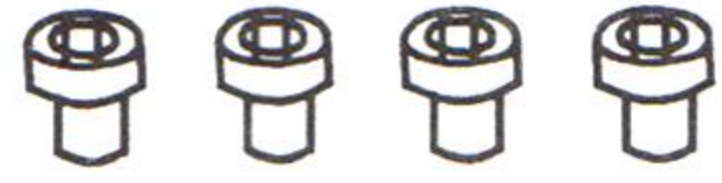
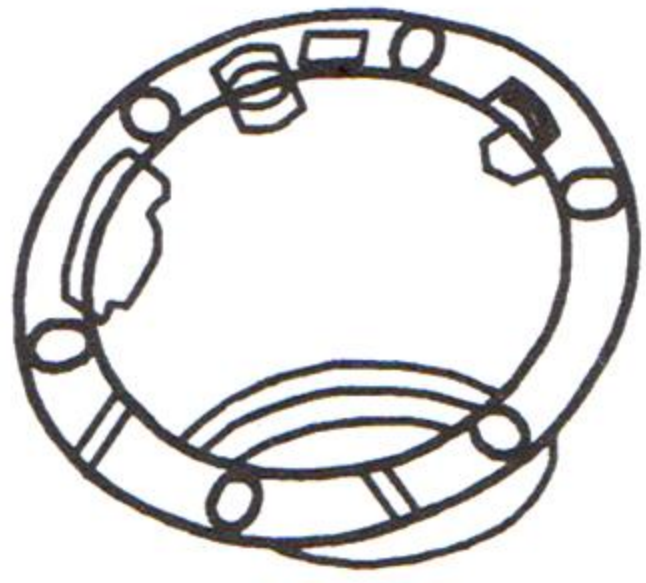
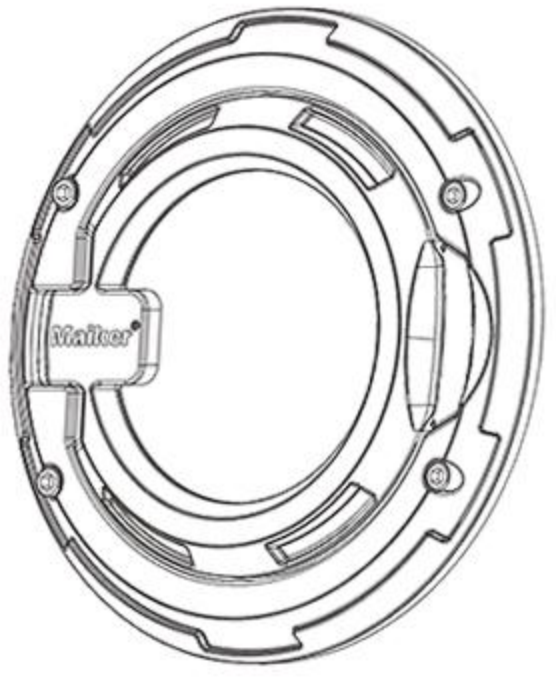
12



13



1.7Nan (15 Inch-lb)
CAUTION
 DO NOT OVERTORQUE
 DO NOT USE POWER TOOLS
 TORQUE WRENCH ONLY



1.7Nm (15 Inch-lb)

CAUTION

DO NOT OVERTORQUE



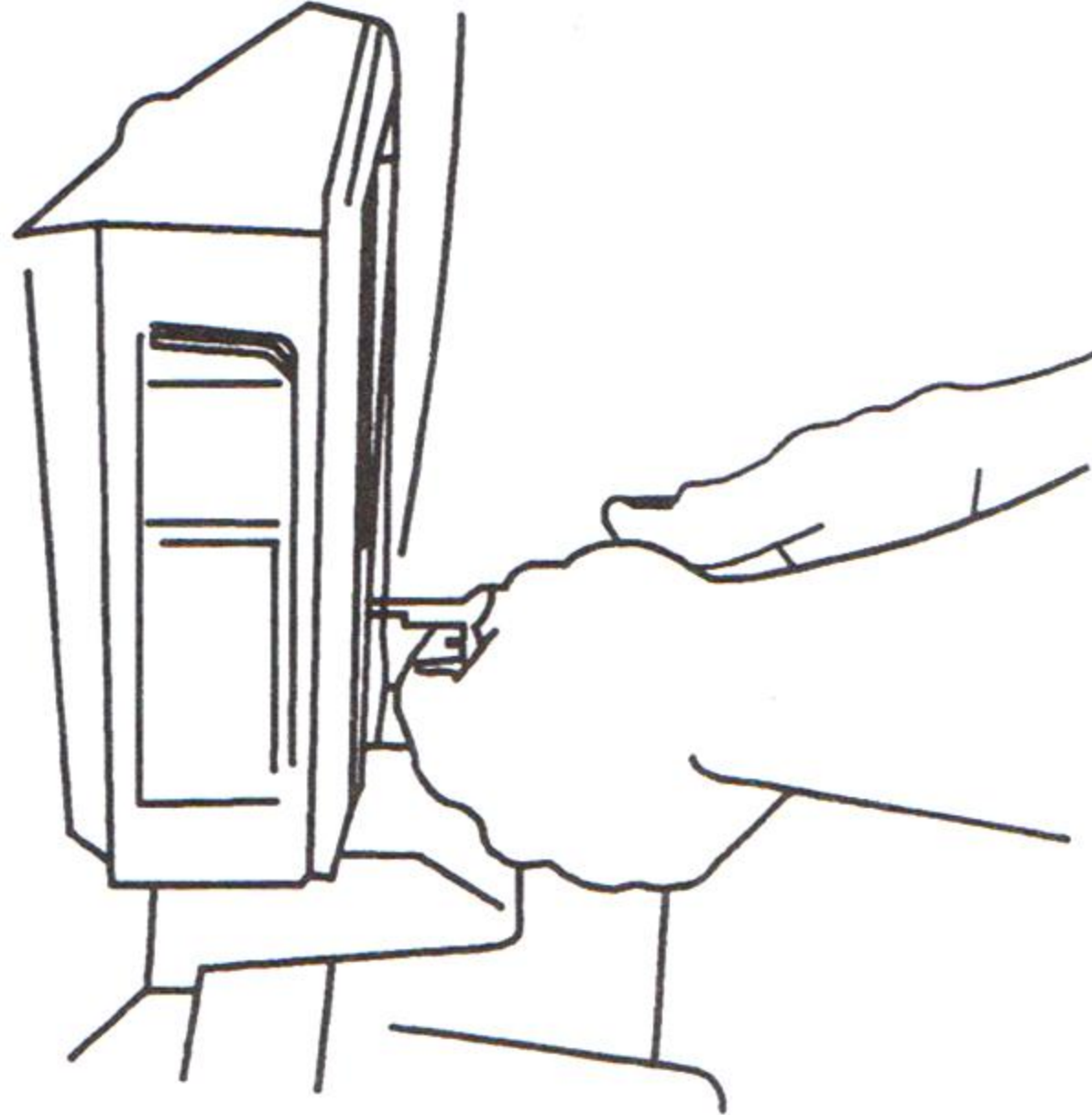
4MM HEX

TORQUE WRENCH

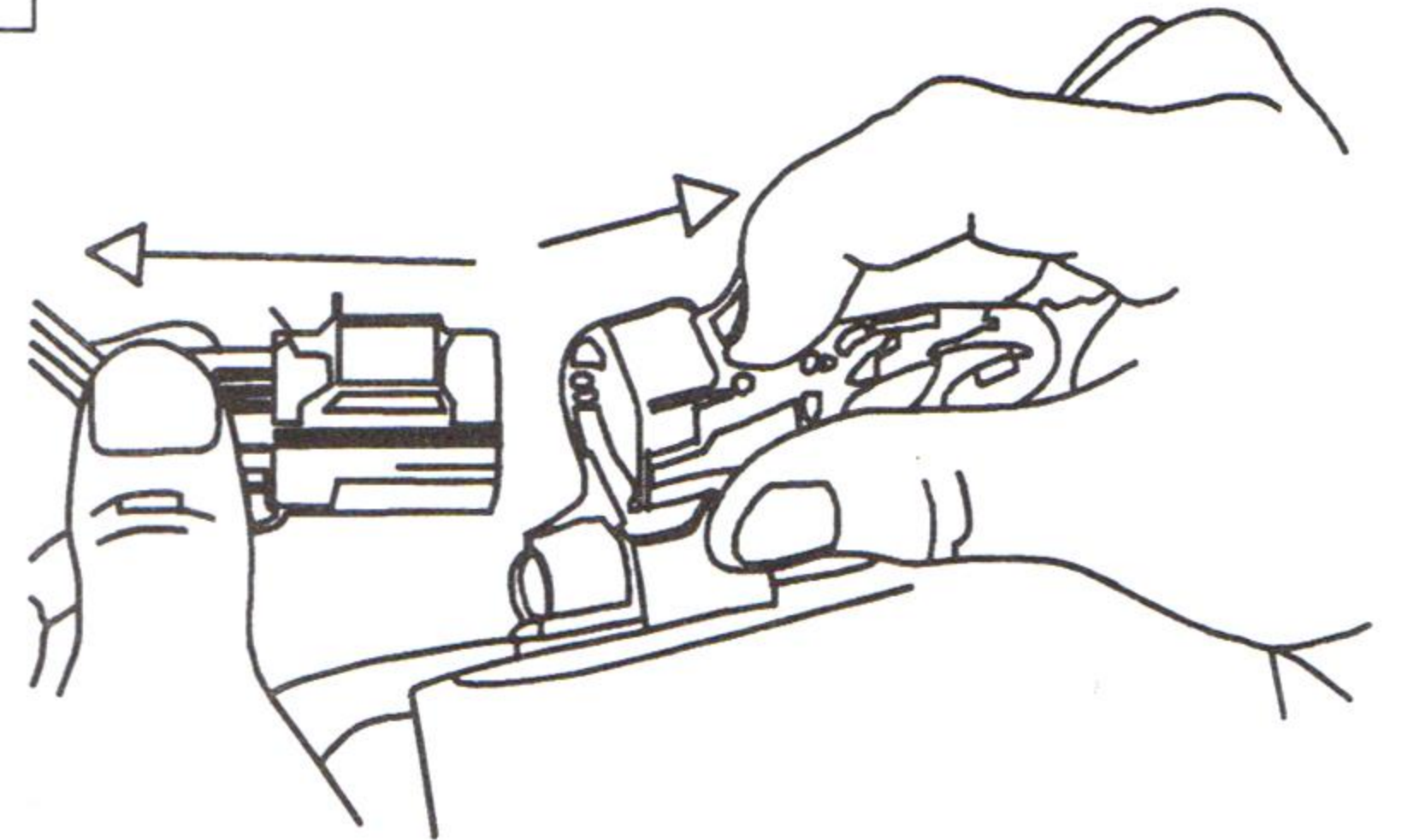
1



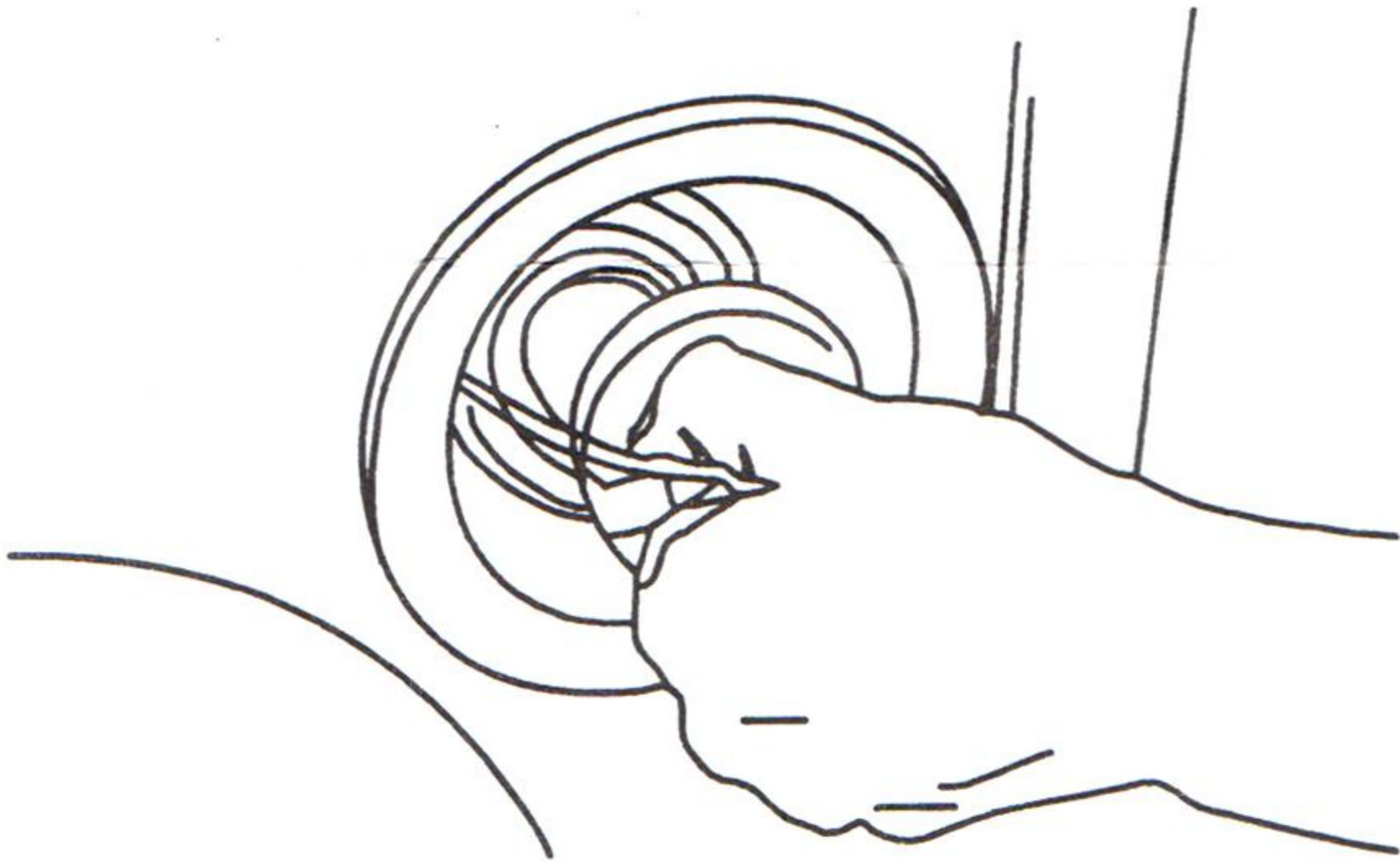
2



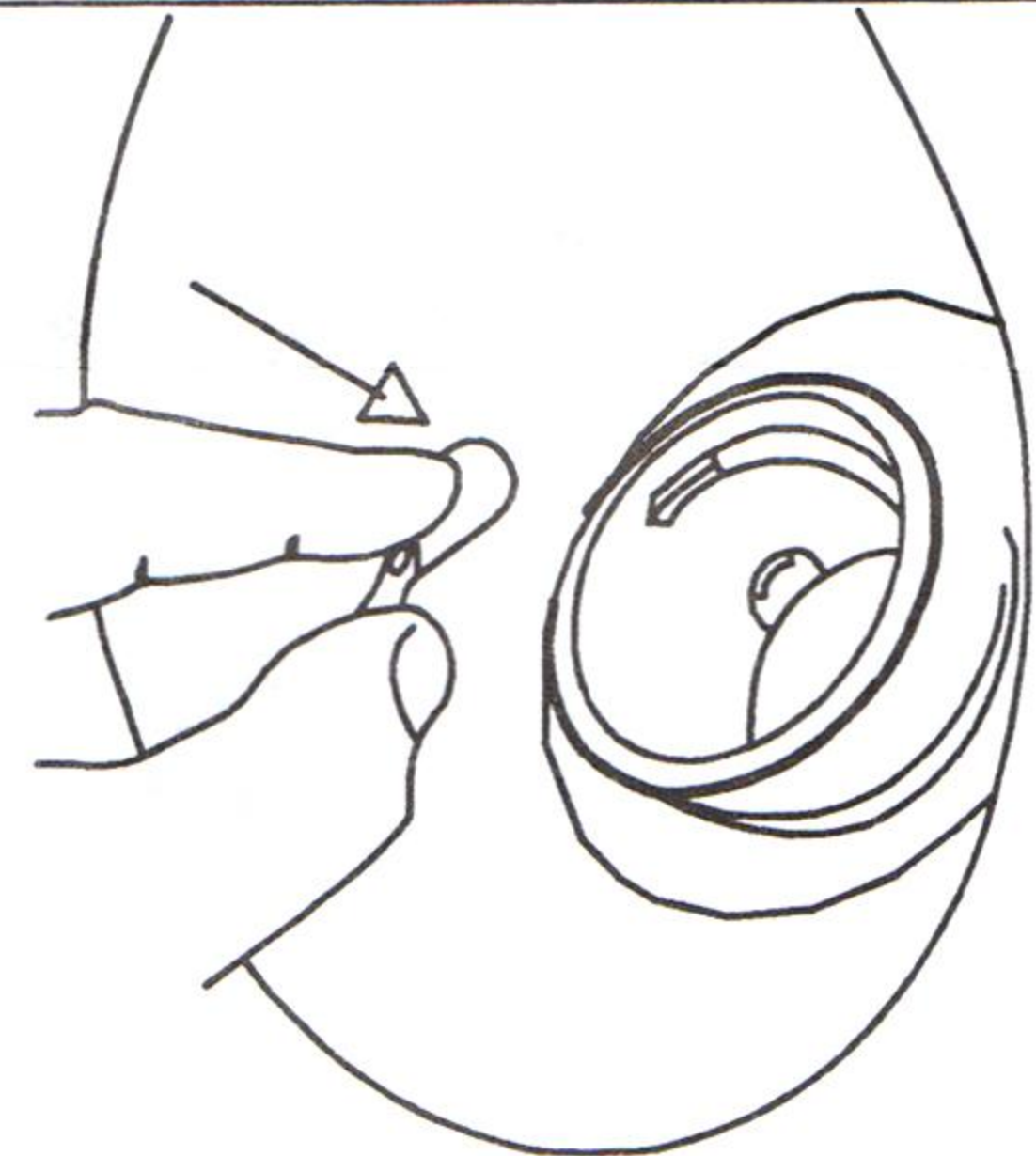
3



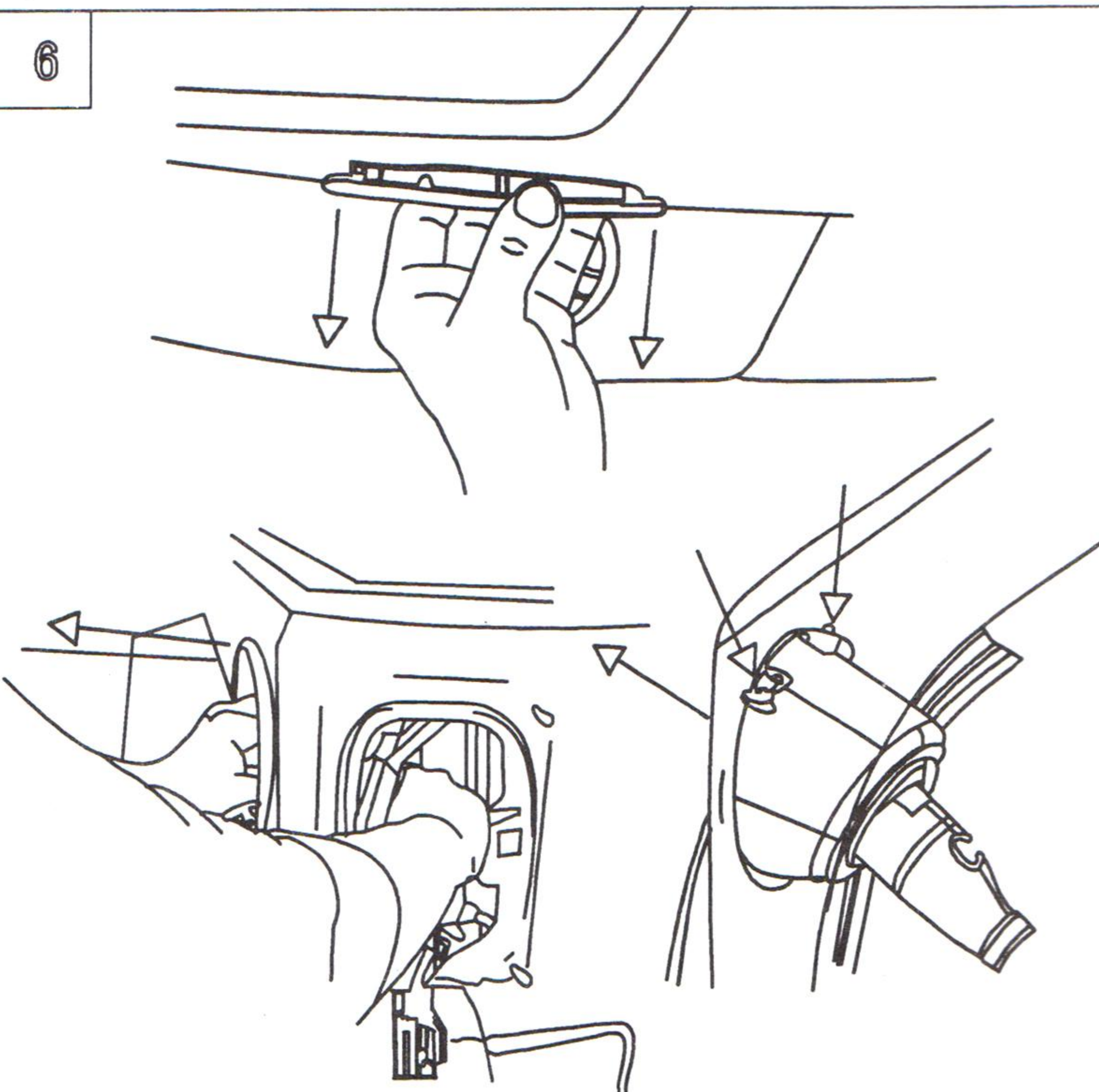
4



5



6



7

